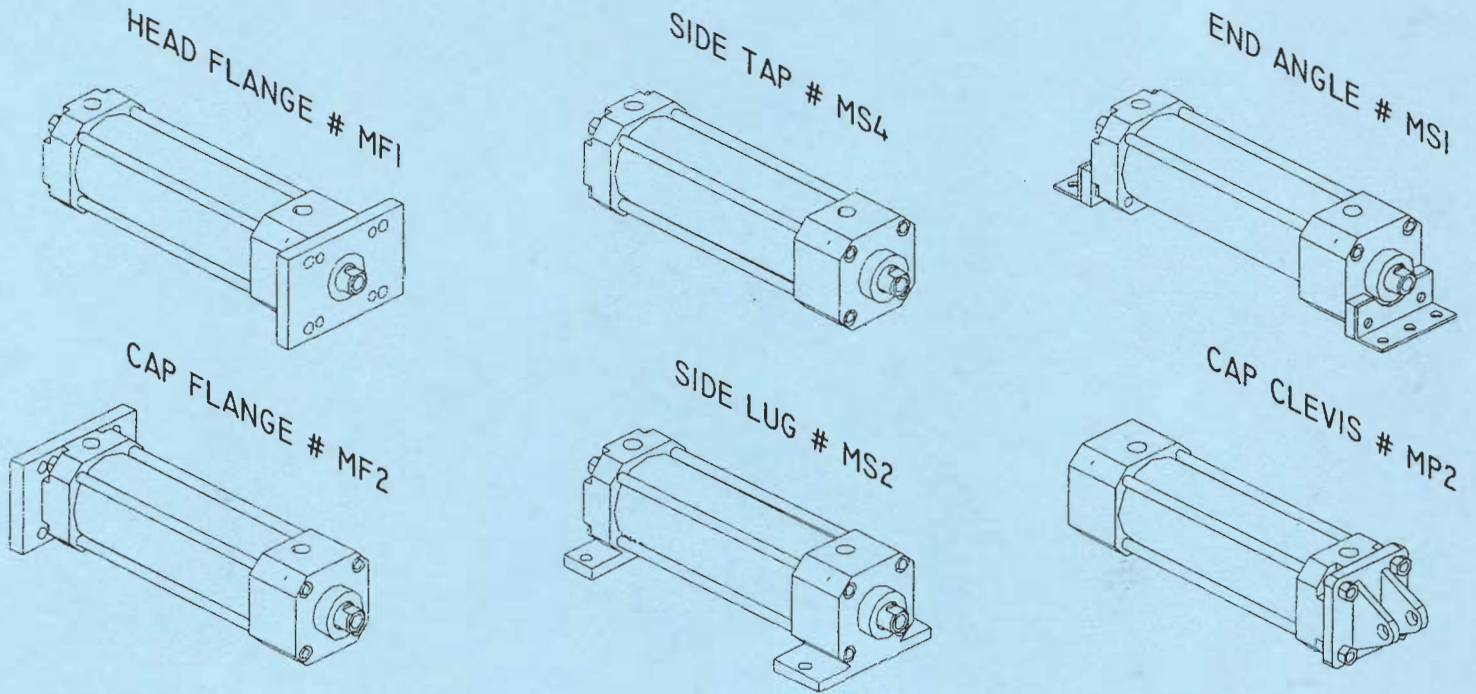


# CASCADE PRECISION TIE-ROD CYLINDER APPLICATION GUIDE



<b>BORE</b>		<b>STROKE</b>	
<b>ROD DIA.</b>		<b>MOUNT TYPE</b>	
<b>NON-LUBE PNEUMATIC (Y/N)</b>		<b>HYDRAULIC MAX. PRESSURE</b>	
<b>CUSHIONS (Y/N)</b>		<b>ROD END (MALE/FEMALE)</b>	
<b>MAX TEMPERATURE</b>		<b>USAGE PER YEAR</b>	
<b>HARSH ENVIRONMENT (Y/N)</b>			
<b>HIGH SPEED (ABOVE TWO FEET/SEC) (Y/N)</b>			

<b>NAME:</b>	<b>PHONE #</b>
<b>COMPANY:</b>	<b>FAX #</b>
<b>CITY:</b>	<b>E-MAIL:</b>

**FAX TO CASCADE PRECISION INC. @ (503) 663-0845**